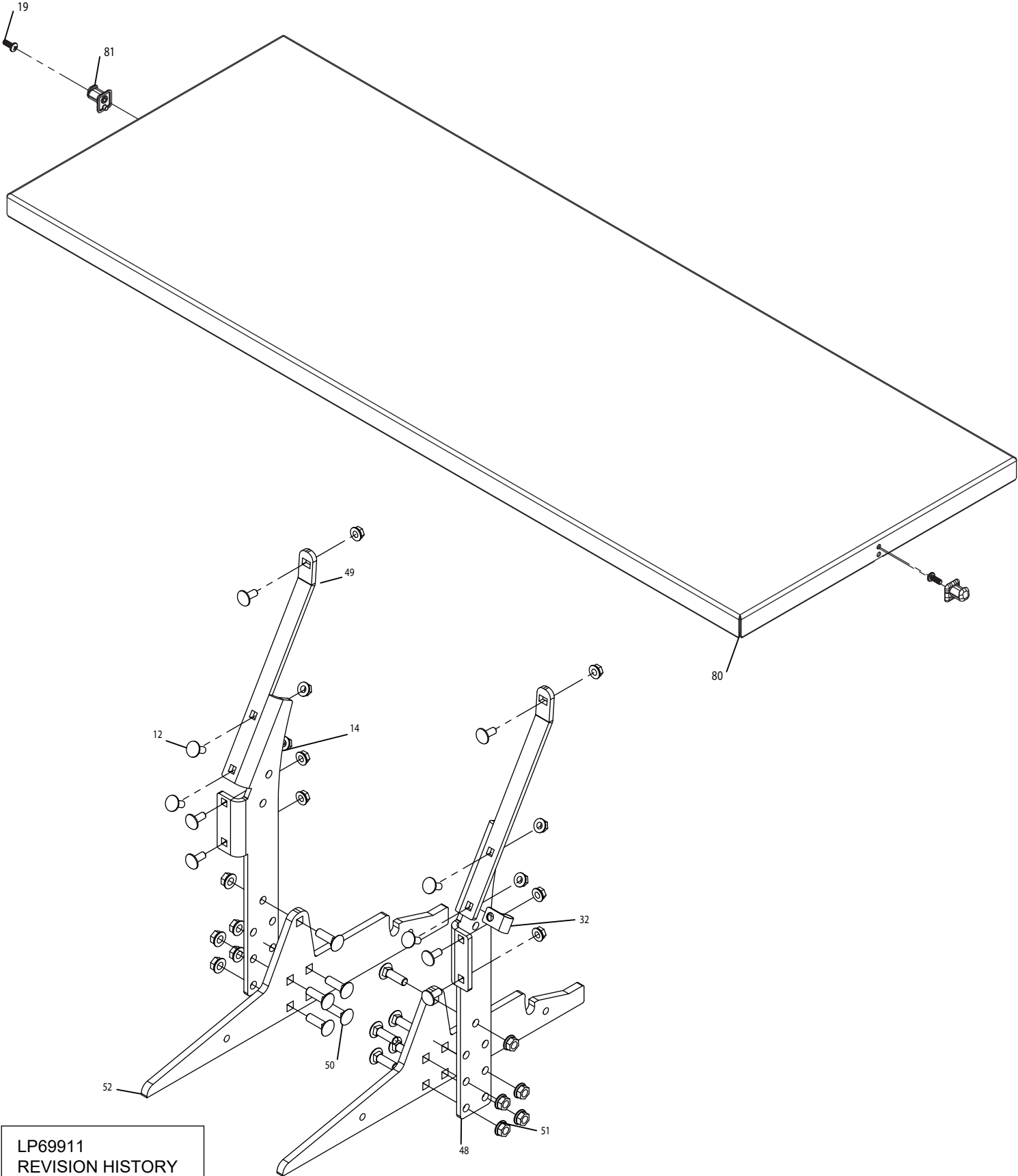
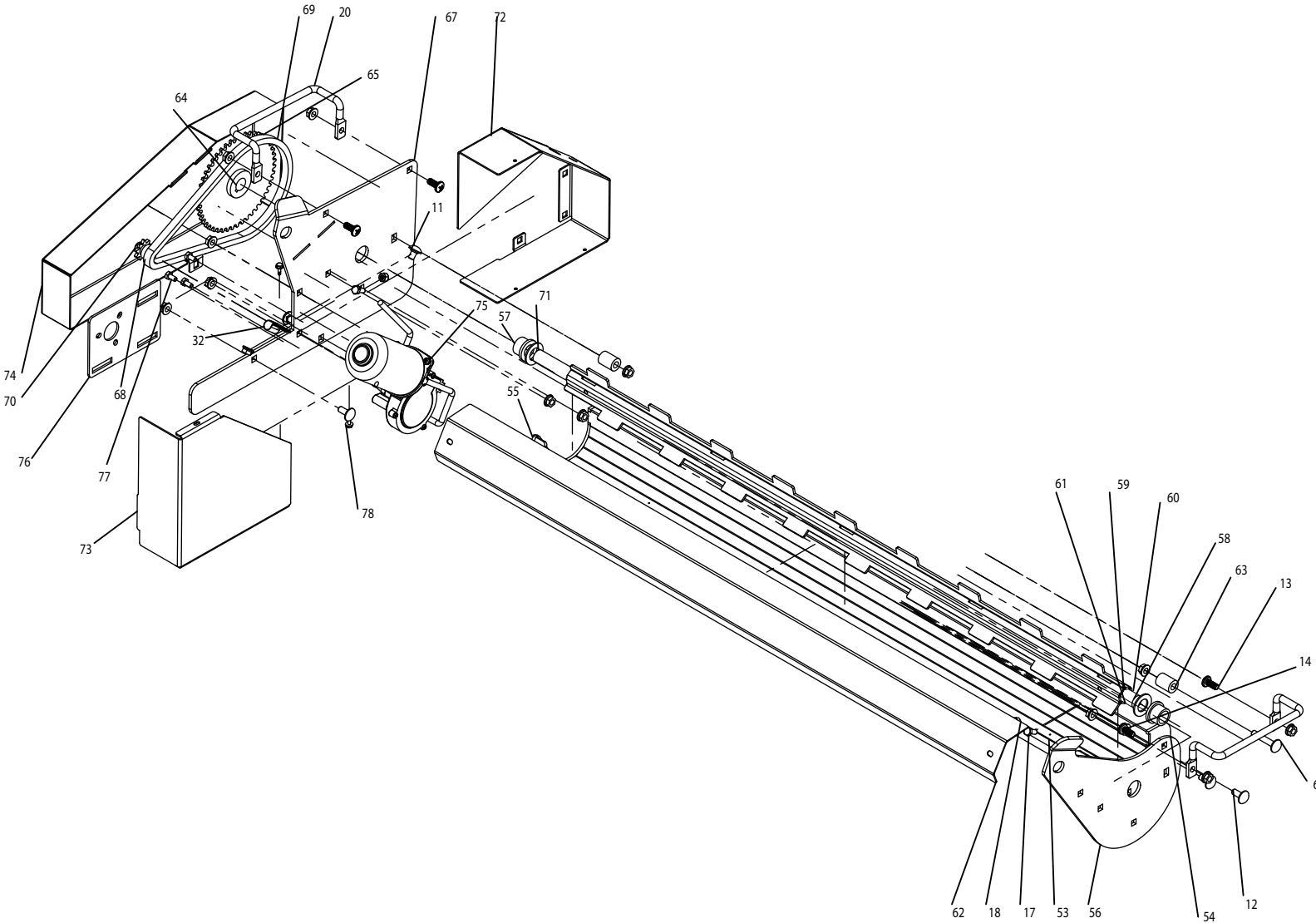


LP69911 - 43" Drop Spreader Lid and Frame

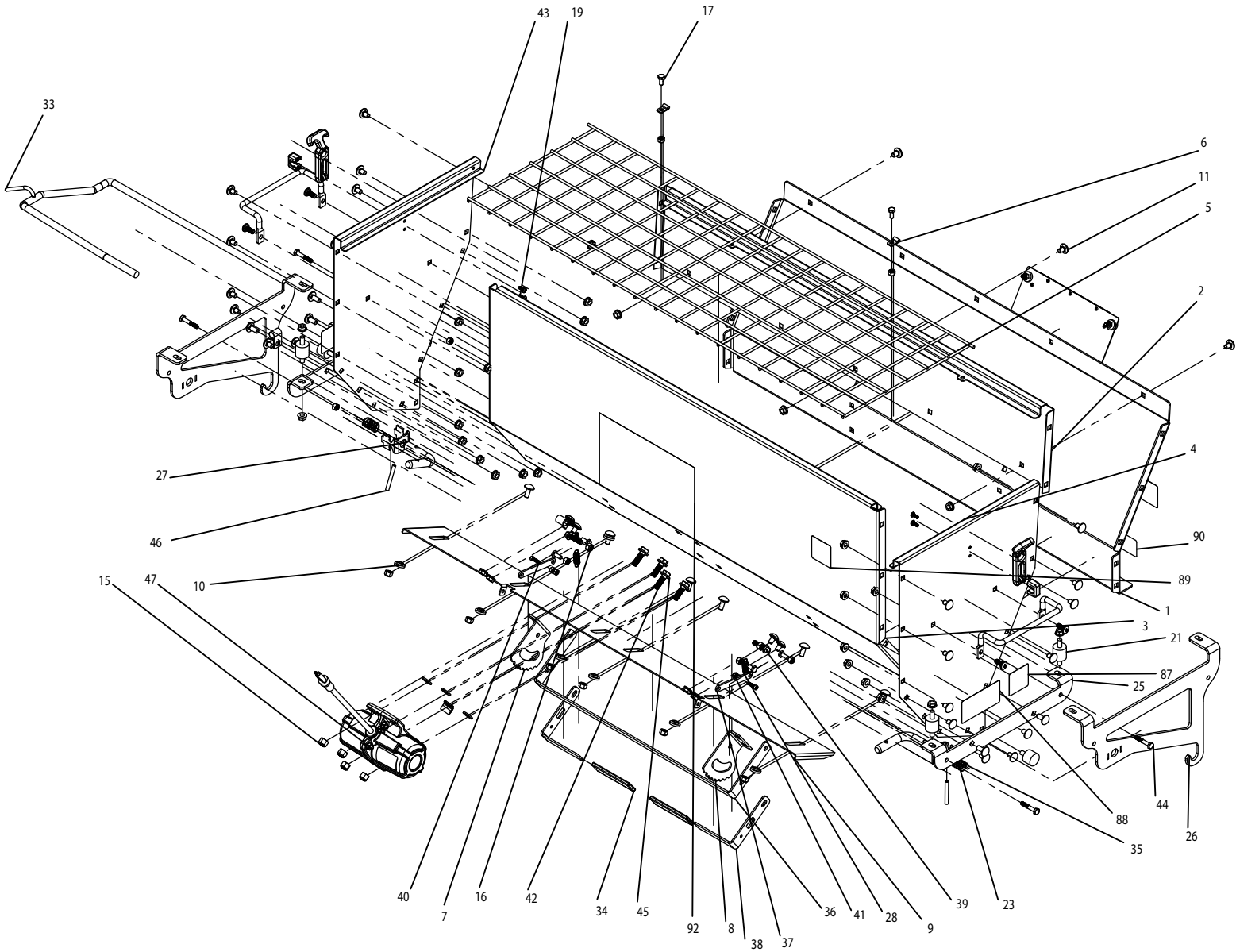


LP69911
REVISION HISTORY
Rev. B 02/01/21
Sheet 1 of 6

LP69911 - 43" Drop Spreader - Auger Assembly



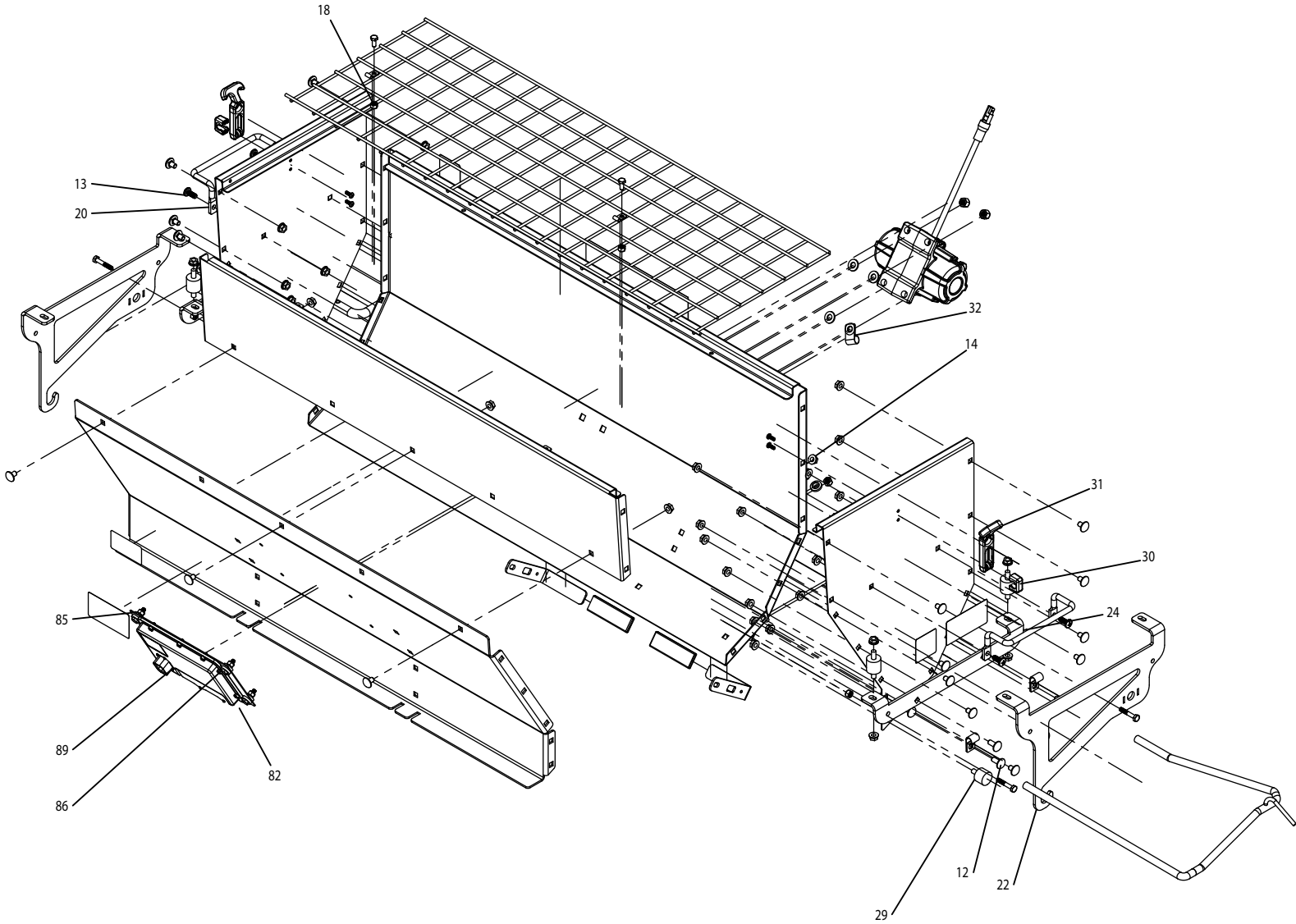
LP69911 - 43" Drop Spreader - Hopper



BACK VIEW

LP69911
REVISION HISTORY
Rev. B 02/01/21
Sheet 3 of 6

LP69911 - 43" Drop Spreader - Hopper



FRONT VIEW

LP69911
REVISION HISTORY
Rev. B 02/01/21
Sheet 4 of 6

LP69911 - 43" Drop Spreader

ITEM NO.	PART NUMBER	DESCRIPTION	QTY.
1	ST50827	Wall, Front Lower Hopper	1
2	ST50410	Wall, Front Upper Hopper	1
3	ST50412	Wall, Back Hopper	1
4	ST50409	Wall, Right Hopper	1
5	ST50450	Grate	1
6	ST50453	Clip	2
7	ST50559	Selector, Gate Position	1
8	ST50560	Selector, Gate Position	1
9	ST50437	Gate, Flow Control	1
10	ST50436	Shoulder Washer USA	7
11	ST65121	Bolt, 5/16" x 1/2" Short Neck Carriage S.S	30
12	ST65122	Bolt, 5/16" x 3/4" Carriage S.S.	30
13	ST65137	Pan Head Phil.#4 5/16"-18 x 3/4" S.S.	8
14	ST65124	Nut, 5/16" Flange S.S.	71
15	ST65127	Nut, 3/8" Nylock S.S.	4
16	ST65099	Nut, 5/16"-18 Nylock S.S.	9
17	ST65120	Bolt, 1/4"-20 x 5/8" Hex S.S.	8
18	ST65115	1/4"-20 S.S. Nylon Lock Nut	12
19	ST65130	10-24 #2 S/S Pan Screw	6
20	ST50447	Handle	4
21	ST50490	Rubber Isolator	4
22	ST50416	Plate, Tray Hanger Left	1
23	ST50407	Pin Latch	2
24	ST50425	Base, Vibration Mount Left	1
25	ST50426	Base, Vibration Mount Right	1
26	ST50417	Plate, Tray Hanger Right	1
27	ST50359	Locking Pin 5/8"dia S.S	2
28	ST50449	Spring	2
29	ST50424	Rubber Bumper	2
30	ST50451-A1	Latch	2
31	ST50451-A2	Latch	2
32	ST50468	Clamp, 1/2"ID x .75W Vinyl Coated	6
33	ST50421	Harness, Wire	1
34	ST50561	Handle Grip	2
35	ST50360	Spring	2
36	ST50557	Gate Handle	1
37	ST50562	linkage	2
38	ST50558	Gate Latch Lever	2
39	ST65146	Cap Screw 5/16" x 1-1/4" S.S.	2
40	ST65147	10-24 x 3/4" Cap Screw S.S.	2
41	ST65148	10-24 S.S. Nylon Lock Nut	4
42	ST65138	3/8" x 1-1/4" S.S Hex Bolt	4
43	ST50408	Wall, Left Hopper	1
44	ST65168	1/4" x 1-1/2" S.S. Hex Bolt	4
45	ST65112	3/8" SAE Flat Washer S.S.	8
46	ST50358	Roll pin 1/4" x 2"	2
47	ST50825	Vibration Motor, 40 lbf	1
48	ST50454	Leg, Frame	1
49	ST50455	Leg, Frame	1
50	ST65135	3/8 x 1.25 Carriage Bolt	10
51	ST65126	Nut, 3/8" Flange S.S.	10
52	ST50463	Foot, Gator	2
53	ST50429	Tray, Auger	1
54	ST50418	Plate, Tray End Right	1
55	ST50420	Plate, Tray End Left	1
56	ST50430	Plate, Tray Mount Right	1
57	ST50419	Bearing, Bronze Flanged Sleeve	2
58	ST50448	Shaft, Auger	1
59	ST50413	Teeth, Auger A	1

LP69911 - 43" Drop Spreader

ITEM NO.	PART NUMBER	DESCRIPTION	QTY.
60	ST50414	Teeth, Auger B	1
61	ST50415	Teeth, Auger C	1
62	ST50431	Shield, Tray Auger	1
63	ST50428	Bushing, Tray Hook	2
64	ST50433	Hub, Gear Weld	1
65	ST50434	Gear, 48 T 35Chain Weld	1
66	ST65123	Bolt, 5/16" x 1-3/4" Carriage S.S.	2
67	ST50445	Plate, Tray Mount Left	1
68	ST50435	Sprocket, 35 Series 9T	1
69	ST50470	Chain, 35 Series	1
70	ST65128	Nut, M8 Nylock S.S.	1
71	ST65129	Washer, 3/4"ID 1.32"OD Flat S.S.	2
72	ST50443	Shield, Motor Inner	1
73	ST50444	Shield, Motor Outer	1
74	ST50446	Shield, Chain Drive	1
75	ST50452	Motor, Electric	1
76	ST50427	Plate, Motor Mount	1
77	ST65132	M6 x 12mm Hex Bolt	3
78	ST65131	Screw, #10-24 Thread-Cutting Screw	3
79	ST50487	Key 3/16" x 1-1/4"	1
80	ST50432	Lid, Hopper	1
81	ST50451	Latch Stud	2
82	ST48547	Control Module, Rear, Assembly	1
83	ST43942	Pan Head Phillips Machine Screw	8
85	ST65017	1/4 Nylock Nut	4
86	ST65224	1/4 Bolt	4
87	ST50400	Label- Caution	2
88	ST50306	Warning Label - Moving Parts	2
89	ST50569	Do Not Ride Label	1
90	STSerialTag	Serial Tag	1
92	ST50541	Deer Label- Green	1
Not Shown	ST50939	Controller Harness	1
Not Shown	ST50828	Motor Harness	1
Not Shown	ST50832	J1393 Term Plug	1
Not Shown	ST50833	Receptacle Dust Cap	1
Not Shown	ST50978	Plug Dust Cap	1